

DBMORX Series (370-960 MHz)

Receiver Multicoupler, 8 or 16 Channels

ELECTRICAL SPECIFICATIONS

Frequency Range, MHz	See Ordering Information
Number of Channels	8 or 16
Noise Figure (typ), dB	See Noise Figure / Gain chart
Gain (typ) (dB)*	See Noise Figure / Gain chart
Amplifier IP3 (typ), dBm	40
Receiver to Receiver Isolation, dB	20
Return Loss (typ), dB	14
1 dB Compression Point (typ), dBm	+24
Power Source	
VAC (AC/DC wall mount adapter), MHz	90-240, 50/60 Hz
VDC	6-12 (nominal)
Power Requirement	
AC, VA	< 30
DC, Watts	< 15

MECHANICAL SPECIFICATIONS

Finish	Black
Input Connector	N(F)
Output Connector	BNC-Female
Mounting	EIA 19-inch Rack
Temperature Range, degrees	-10 to +60 C

DIMENSIONS

Width, in(mm)	19 (482.6)
Height, in(mm)	1.75 (44.5)
Height, RU	1
Depth, in(mm)	6 (152.4)
Net Weight, lb(kg)	6 (2.7)
Shipping Weight, lb(kg)	16 (7.3)



DBMORX
Angle View



DBMORX
Back View

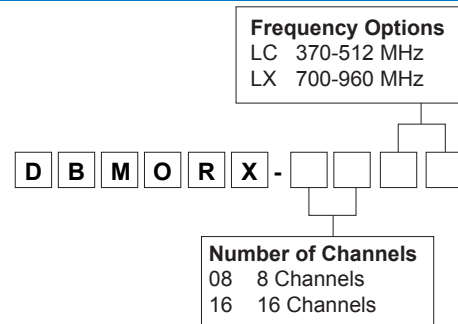
FEATURES AND BENEFITS

- Quadrature coupled, low noise RF amplifiers (LNA).
- Recommended for high-density RF sites.
- Field expandable to 16 channels.
- Flexible AC/DC power requirements.
- Low profile; 1 RU, 19-inch rack mount.
- Rear mountable for space saving.

NOISE FIGURE / GAIN

Model Number	Noise Figure (dB)	Gain (dB)
DBMORX-08LC	4	10
DBMORX-16LC	4	6
DBMORX-08LX	1.5	10
DBMORX-16LX	1.5	12

ORDERING INFORMATION



ACCESSORIES

8 Channel Field Expansion Kit;
DBS-MCKIT-LC Includes: 8 and 2 way splitters,
2 cables

* For additional gain, remove 10 dB attenuator on 8 channel models or 6 dB internal attenuator on 16 channel models. Other fixed attenuators may be used for field gain adjustments (SMA male/female).

Note¹: Proper receiver filtering must be used with any broadrange multicoupler.