

DSCC Series (763-940 MHz) Transmitter Cavity Combiner, 2 to 24 Channels

ELECTRICAL SPECIFICATIONS

Frequency Range, MHz	See Ordering Information
Frequency Separation, kHz	150 min
Number of Channels	2 to 24
Isolation, dB	
TX to TX	65 min
TX to RX	>45 min @ 30 MHz
ANT to TX	50 min
Insertion Loss	See Insertion Loss chart
Transmitter Return Loss, dB	19 min
Power/Channel, Watts	110

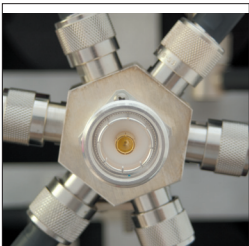
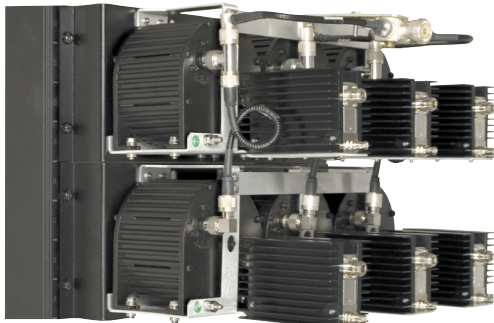
MECHANICAL SPECIFICATIONS

Construction/Finish	Ceramic/Black
Input Connector	N(F)
Output Connector	N(F) or 7/16 DIN(F)
Mounting	EIA 19-inch Rack
Temperature Range, degrees	-30 to +60 C

DIMENSIONS

Cavity Diameter, in(mm)	5 (127)
Width, in(mm)	19 (482.6) per panel
Depth, in(mm)	12.5 (317.5) per panel

Number of Channels	Height in(mm)	RU	Net Weight lb(kg)	Shipping Weight lb(kg)
2	7 (177.8)	4	18 (8.2)	28 (12.7)
3	7 (177.8)	4	25 (11.3)	35 (15.9)
4	14 (355.6)	8	36 (16.3)	46 (20.9)
5	14 (355.6)	8	43 (19.5)	53 (24)
6	14 (355.6)	8	50 (22.7)	60 (27.2)
7	21 (533.4)	12	61 (27.7)	71 (32.2)
8	21 (533.4)	12	68 (30.8)	78 (35.4)
9	21 (533.4)	12	75 (34)	85 (38.6)
10	28 (711.2)	16	86 (39)	96 (43.5)



FEATURES AND BENEFITS

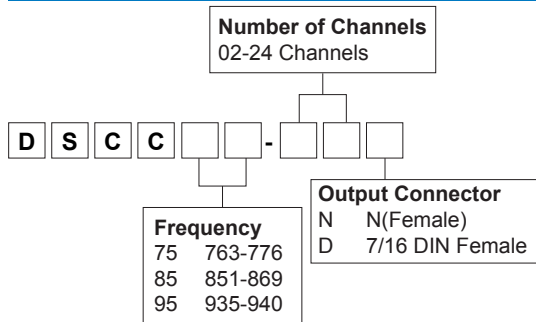
- Low insertion loss.
- 150 KHz TX-to-TX spacing.
- Dual junction isolator.
- Five-inch cavities with ceramic elements.
- Easy field tuning and expansion.
- Broadband performance.
- Compact packaging.
- 2 to 24 channel availability.

INSERTION LOSS, typical (dB)

Number of Channels	Frequency Separation (kHz)		
	150-250	250-500	500 or greater
2	2.6	2.1	1.9
3	3.0	2.2	1.9
4	3.3	2.4	2.0
5	3.6	2.4	2.1
6	3.7	2.6	2.1
7	3.7	2.6	2.1
8	4.0	2.7	2.2
9	4.0	2.8	2.2
10	4.1	2.8	2.3
11	4.2	2.9	2.4
12	4.4	3.1	2.5
13	4.5	3.2	2.6
14	4.6	3.3	2.7

1.0 dB insertion loss variation over temperature.

ORDERING INFORMATION



ACCESSORIES

DSCC__-01WB	Expansion channel with bracket
DSCC__-01WOB	Expansion channel without bracket

When ordering expansion channels, please specify the number of channels desired, new frequencies and provide existing frequencies. For multiple expansion channels please contact dbSpectra Technical Support. Tune under power if operating at or below 0°C.

For 700/800 MHz operation with single antenna use Diplexer, Model #MDI78.